



IMP PUMPS[®]

Intelligent Motor Pumps

www.imp-pumps.com

75
YEARS



DISTRIBUTION & REGULATION GROUPS WITH NMT NEO PUMPS



THE GOLDEN GAZELLE
OF SLOVENIA
2023

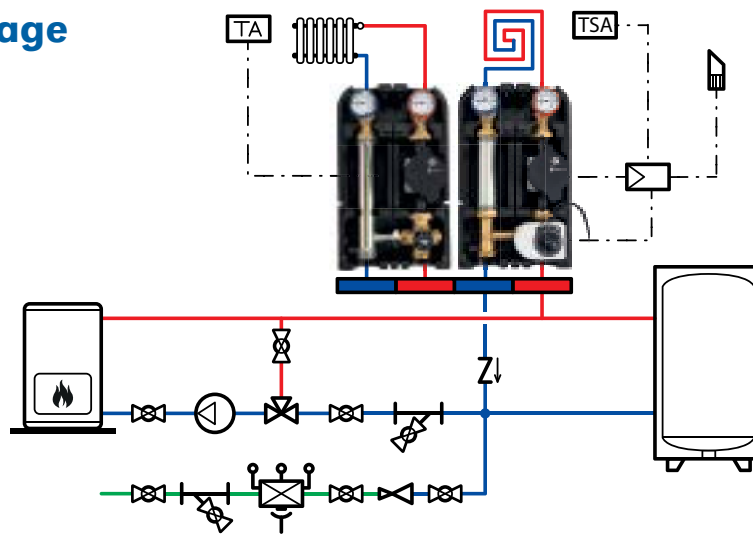
DISTRIBUTION & REGULATION GROUPS



- ADVANTAGES:**
- EASY INSTALLATION AND MAINTENANCE
 - COMPACT SOLUTION
 - MULTIFUNCTION
 - EVERYTHING UNDER CONTROL
 - INSULATION INCLUDED
 - 3 GROUP MODELS



Example of usage



Direct distribution groups

Direct distribution group - reversible - DN 15/25/32 - without connections for by-pass.
 Male and female thread on system side connections.
 Max working temperature: 110 °C
 Max working pressure: 10 bar
 Connection centre distance: DN15 - 90 mm; DN25 - 125 mm; DN32 - 125 mm



Code	Pumps	Size
979528881	NMT NEO 15/60-130	G 1 M - (G 1 M+G 3/4 F)
979528882	NMT NEO 15/70-130	G 1 M - (G 1 M+G 3/4 F)
979528883	NMT NEO 15/80-130	G 1 M - (G 1 M+G 3/4 F)
979528884	NMT NEO 15/100-130	G 1 M - (G 1 M+G 3/4 F)
979528893	NMT NEO 25/60-180	G 1 1/2 M - G 1 F
979528894	NMT NEO 25/70-180	G 1 1/2 M - G 1 F
979528895	NMT NEO 25/80-180	G 1 1/2 M - G 1 F
979528896	NMT NEO 25/100-180	G 1 1/2 M - G 1 F
979528905	NMT NEO 32/60-180	G 2 M - G 1 1/4 F
979528906	NMT NEO 32/70-180	G 2 M - G 1 1/4 F
979528907	NMT NEO 32/80-180	G 2 M - G 1 1/4 F
979528908	NMT NEO 32/100-180	G 2 M - G 1 1/4 F

Regulating group with thermostatic mixing valve

Regulating group with thermostatic mixing valve - reversible - DN 15/25/32 - without connections for by-pass. Male and female thread on system side connections.

Max working temperature: 110 °C

Max working pressure: 10 bar

Connection centre distance: DN15 - 90 mm; DN25 - 125 mm; DN32 - 125 mm

Code	Pumps	Size
979528885	NMT NEO 15/60-130	G 1 M - (G 1 M+G 3/4 F)
979528886	NMT NEO 15/70-130	G 1 M - (G 1 M+G 3/4 F)
979528887	NMT NEO 15/80-130	G 1 M - (G 1 M+G 3/4 F)
979528888	NMT NEO 15/100-130	G 1 M - (G 1 M+G 3/4 F)
979528897	NMT NEO 25/60-180	G 1 1/2 M - G 1 F
979528898	NMT NEO 25/70-180	G 1 1/2 M - G 1 F
979528899	NMT NEO 25/80-180	G 1 1/2 M - G 1 F
979528900	NMT NEO 25/100-180	G 1 1/2 M - G 1 F
979528909	NMT NEO 32/60-180	G 2 M - G 1 1/4 F
979528910	NMT NEO 32/70-180	G 2 M - G 1 1/4 F
979528911	NMT NEO 32/80-180	G 2 M - G 1 1/4 F
979528912	NMT NEO 32/100-180	G 2 M - G 1 1/4 F



Regulating group with 3-way mixing valve

Regulating group with 3-way mixing valve fitted to be actuated - reversible - DN 15/25/32 - 3 point actuator - without connections for bypass.

Male and female thread on system side connections.

Max working temperature: 110 °C

Max working pressure: 10 bar

Connection centre distance: DN15 - 90 mm DN25 - 125 mm; DN32 - 125 mm

Torque: 10 N·m

Protection class: IP 44

Frequency: 50 Hz

Power consumption: 4 VA

Code	Pumps	Size
979528889	NMT NEO 15/60-130	G 1 M - (G 1 M+G 3/4 F)
979528890	NMT NEO 15/70-130	G 1 M - (G 1 M+G 3/4 F)
979528891	NMT NEO 15/80-130	G 1 M - (G 1 M+G 3/4 F)
979528892	NMT NEO 15/100-130	G 1 M - (G 1 M+G 3/4 F)
979528901	NMT NEO 25/60-180	G 1 1/2 M - G 1 F
979528902	NMT NEO 25/70-180	G 1 1/2 M - G 1 F
979528903	NMT NEO 25/80-180	G 1 1/2 M - G 1 F
979528904	NMT NEO 25/100-180	G 1 1/2 M - G 1 F
979528913	NMT NEO 32/60-180	G 2 M - G 1 1/4 F
979528914	NMT NEO 32/70-180	G 2 M - G 1 1/4 F
979528915	NMT NEO 32/80-180	G 2 M - G 1 1/4 F
979528916	NMT NEO 32/100-180	G 2 M - G 1 1/4 F





NMT NEO PUMPS



MOST EFFICIENT
CIRCULATING
PUMP ON THE
MARKET

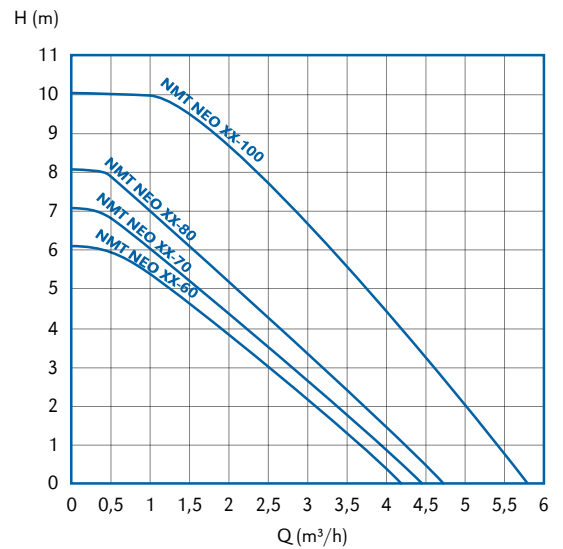
NMT NEO main features:

- Dry running detection prevents the pump from running when there is no medium
- Ultra-light design meaning the lightest pump only weighs 1.47 kg
- Automatic summer mode to prevent blocking during low season
- Robust startup
- 3 proportional-pressure curves for radiator heating
- 3 constant-pressure curves for floor heating
- 3 fixed speeds for boiler installation, venting, and domestic hot water
- TE Super Seal connector

Performance range & technical specifications

PUMP	Rated voltage [V]	P max. [W]	I max. [A]	RPM max.
NMT NEO XX/60	1-230 (50/60 Hz)	35	0,4	4800
NMT NEO XX/70	1-230 (50/60 Hz)	40	0,4	5200
NMT NEO XX/80	1-230 (50/60 Hz)	50	0,5	5600
NMT NEO XX/100	1-230 (50/60 Hz)	90	0,9	6200

PUMP	Max. working pressure	Protection class	Insulation class	EEI
NMT NEO XX/60	10 bar (1MPa)	IP 44	F (155°C)	0,17
NMT NEO XX/70	10 bar (1MPa)	IP 44	F (155°C)	0,18
NMT NEO XX/80	10 bar (1MPa)	IP 44	F (155°C)	0,18
NMT NEO XX/100	10 bar (1MPa)	IP 44	F (155°C)	0,18



Other components



Code	Description
BRB-10008	Wall mount for DN20 distribution groups
BRB-10009	Wall mount for DN25 distribution groups
BRB-10010	Wall mount for DN32 distribution groups



Code	Description
BRB-10000	Two zones dual distribution manifold DN20
BRB-10001	Three zones dual distribution manifold DN20
BRB-10002	Two zones dual distribution manifold DN25
BRB-10003	Three zones dual distribution manifold DN25
BRB-10004	Four zones dual distribution manifold DN25
BRB-10005	Two zones dual distribution manifold DN32
BRB-10006	Three zones dual distribution manifold DN32
BRB-10007	Four zones dual distribution manifold DN32